

**SCHEDULE OF RECOMMENDED FOUNDATION PIER MIN. SIZES**  
**SPLIT RAIL FENCE W 3 RAILS MIN. FOUNDATION SIZES**

Exposure	Bedrock		Gravel		Sand		Clay		Unknown Fill / Organics
	Pier Diameter (in)	Pier Depth (in)	Pier Diameter (in)	Pier Depth (in)	Pier Diameter (in)	Pier Depth (in)	Pier Diameter (in)	Pier Depth (in)	
80	12	30	NIL	36	18	36	18	30	NIL
90	12	30	NIL	36	18	36	18	30	NIL
100	12	30	NIL	36	18	36	18	30	NIL
80	12	30	NIL	36	18	36	18	30	NIL
90	12	30	NIL	36	18	36	18	30	NIL
100	12	30	NIL	36	18	36	18	30	NIL

Note: Foundation pier minimum length shall exceed distance required locally for frost protection.

**SPLIT RAIL FENCE W 2 RAILS MIN. FOUNDATION SIZES**

Exposure	Bedrock		Gravel		Sand		Clay		Unknown Fill / Organics
	Pier Diameter (in)	Pier Depth (in)	Pier Diameter (in)	Pier Depth (in)	Pier Diameter (in)	Pier Depth (in)	Pier Diameter (in)	Pier Depth (in)	
80	12	30	NIL	30	12	36	12	30	NIL
90	12	30	NIL	30	12	36	12	30	NIL
100	12	30	NIL	30	12	36	12	30	NIL
80	12	30	NIL	30	12	36	12	30	NIL
90	12	30	NIL	30	12	36	12	30	NIL
100	12	30	NIL	30	12	36	12	30	NIL

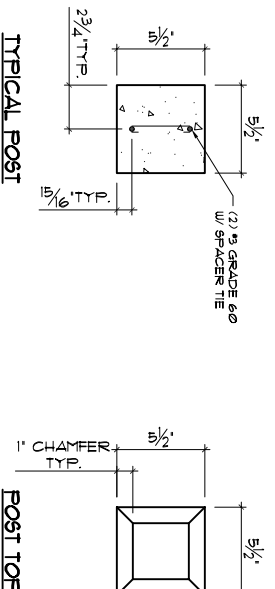
Note: Foundation pier minimum length shall exceed distance required locally for frost protection.

**SPECIFICATION DATA:**

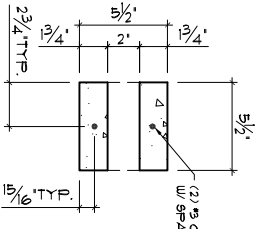
- PRODUCT NAME: SPLIT RAIL FENCE
- MANUFACTURER: SIGNATURE STONE, LLC, 211 30TH STREET, GREELEY, CO 80631
- PRODUCT'S DESCRIPTION: PRODUCTS ARE INTENDED FOR RESIDENTIAL COMMERCIAL AND INDUSTRIAL EXTERIOR FENCING.
- COMPOSITION AND MATERIALS: A MIX OF HIGH STRENGTH PORTLAND CEMENT MEETING OR EXCEEDING THE REQUIREMENTS OF ASTM-C80 NATURAL AGGREGATES, AND IRON OXIDE COLORED AND CAST WITHIN FACTORY YOLDS FILLED YOLDS ARE VIBRATED AFTER SETUP OF MIX CURED, AND PACKAGED FOR SHIPMENT.
- SIZES: FENCE COLUMNS ARE TYPICALLY PLACED AT 96.0" ON CENTERS WITH THE FENCE RAILS BEING 3" IN HEIGHT AND APPROXIMATELY 18" IN THICKNESS. HEIGHT OF THE FENCE SYSTEM SHOULD NOT EXCEED THAT SHOWN ON CONTRACT MANUFACTURER FOR ENGINEERING NOT INCLUDED IN THESE SPECIFICATIONS.
- INSTALLATIONS: FENCE SYSTEM IS DESIGNED FOR TYPICAL CONDITIONS AND APPLICATIONS. SIGNATURE STONE RECOMMENDS FENCE SYSTEM APPLICATION AND FOUNDATION INSTALLATION BE APPROVED BY LOCAL PROFESSIONAL ENGINEER ON EVERY PROJECT.
- TECHNICAL DATA FOR CONCRETE MIX: PRE-CAST POST & RAILS: MIN. 28 DAY COMPRESSIVE STRENGTH = 4000 psi. CAST-IN-PLACE FOUNDATION PIERS: MIN. 28 DAY COMPRESSIVE STRENGTH = 3000 psi.
- BUILDING CODES: DESIGN OF FENCE COLUMNS, PANELS AND FOUNDATION PIERS IS BASED ON MOST RECENT VERSIONS OF IBC, IBC, AND ALC CODES.
- INSTALLATION: POSTS SHALL BE SET INTO FOUNDATION PIER. THE FOUNDATION PIER DIAMETER AND REINFORCEMENT SHALL BE CONSISTENT AS DIRECTED BY THE LOCAL ENGINEER OR AS SHOWN IN THE SCHEDULE. POSTS SHALL BE SET UNFORCED UNTIL THE SPECIFIED DESIGN STRENGTH HAS BEEN ACHIEVED.
- DRAINAGE: THE LONG-TERM PERFORMANCE OF ALL FOUNDATIONS INCLUDING THE SIGNATURE STONE FENCE FOUNDATION DEPENDS ON PROPER GRADING POSSIBLE IS RECOMMENDED THAT THE FENCE FOUNDATIONS BE EXTENDED TO A MINIMUM OF 12" BELOW FINISHED GRADE. DRAINAGE SHOULD BE PROVIDED TO ADEQUATELY REMOTE WATER FROM THE FOUNDATION. DRAINAGE SHOULD BE PROVIDED TO ADEQUATELY REMOTE WATER FROM THE FOUNDATION. DRAINAGE SHOULD BE PROVIDED TO ADEQUATELY REMOTE WATER FROM THE FOUNDATION.

**GENERAL NOTES:**

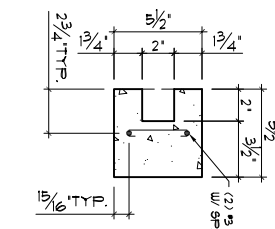
- ALL CONSTRUCTION TO MEET LOCAL CODES AND AMENDMENTS
  - ALL CONCRETE FOOTINGS SHALL USE TYPE II CEMENT.
  - ALL REINFORCING STEEL SHALL CONFORM TO ASTM A 615, GRADE 60, UNLESS APPROVED BY A GEOTECHNICAL ENGINEER
  - FENCE WALL STANDARD DESIGN IS FOR A WIND LOAD OF 80 mph 3 sec. gust.
  - APPROVAL OF THE ENGINEER IS REQUIRED WHEN FENCE IS USED UNDER A CONDITION WHERE THE SPECIFICATIONS ARE DIFFERENT THAN SHOWN
  - THE CONTRACTOR SHALL VERIFY ALL CONDITIONS AT THE JOB SITE
  - THE FENCE RAILS AND POSTS ARE MADE OF CONCRETE AND ARE MANUFACTURED BY A NATIONAL READY MIX CONCRETE ASSOCIATION APPROVED MANUFACTURER
  - A FULLY DIMENSIONED PLOT PLAN IS REQUIRED FOR A BUILDING PERMIT AND MUST BE PROVIDED WITH EACH STANDARD PLAN.
  - LOCATION AND FENCE HEIGHT SHALL COMPLY WITH CITY/COUNTY FENCING CODES AND CURRENT CONDITIONS.
  - ALL WORK SHALL COMPLY WITH CITY/COUNTY GRADING ORDINANCES.
  - ADHESIVE MORTAR SHALL HAVE MIN. TENSILE STRENGTH OF 3000 psi. CONTRACTOR SHALL COMPLETELY COAT ADJOINING SURFACES OF COLUMN SEGMENTS.
- NOTE: ALL DIMENSIONS SHOWN ON THIS SHEET ARE FOR INFORMATION PURPOSES ONLY. ACTUAL DIMENSIONS MAY VARY DUE TO MANUFACTURING AND TOLING TOLERANCES.



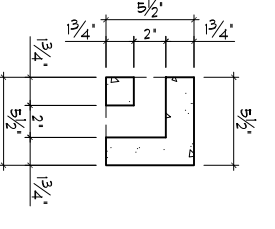
TYPICAL POST



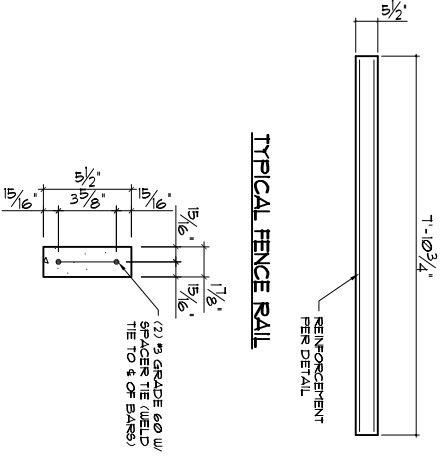
LINE POST & RAIL



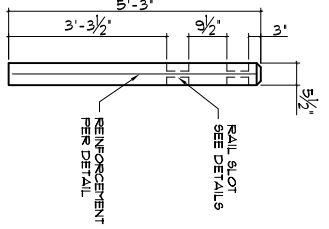
END POST & RAIL



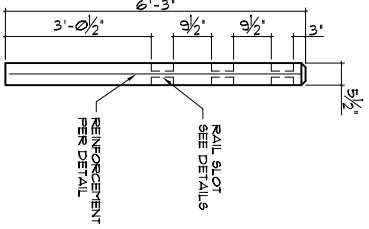
CORNER POST & RAIL



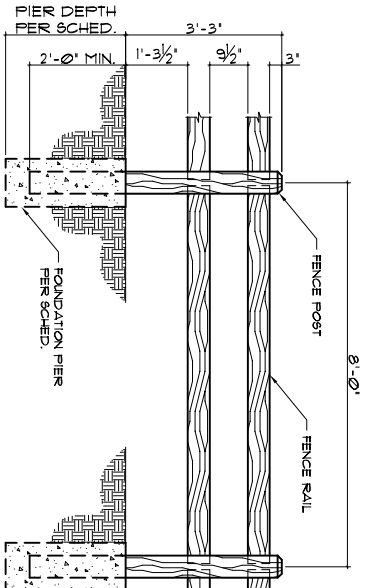
TYPICAL FENCE RAIL



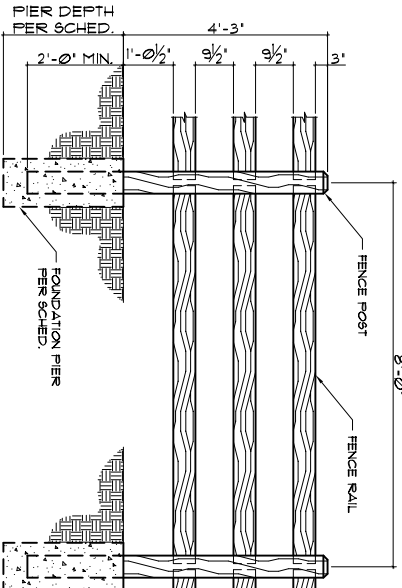
(2 RAIL) POST



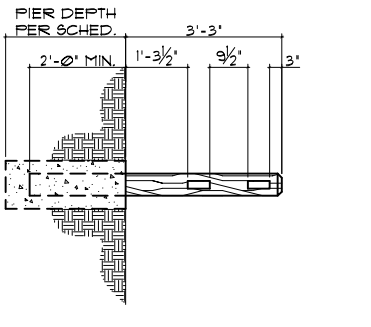
(3 RAIL) POST



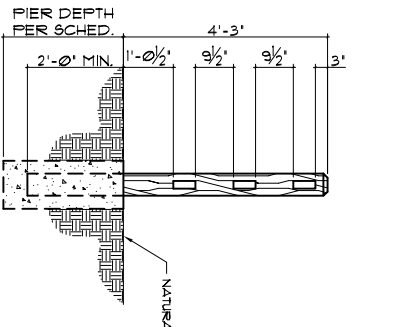
(2 RAIL) SPLIT RAIL FENCE ELEVATION



(3 RAIL) SPLIT RAIL FENCE ELEVATION



(2 RAIL) SPLIT RAIL FENCE ELEVATION



(3 RAIL) SPLIT RAIL FENCE ELEVATION

THESE DRAWINGS AND ACCOMPANYING SPECIFICATIONS AS INSTRUMENTS OF SERVICE ARE THE EXCLUSIVE PROPERTY OF THE ENGINEER AND THEIR USE AND PUBLICATION SHALL BE RESTRICTED TO THE ORIGINAL SITE FOR WHICH THEY WERE PREPARED. REUSE, REPRODUCTION IN WHOLE OR IN PART IS PROHIBITED EXCEPT BY WRITTEN PERMISSION FROM THE ENGINEER. TITLE TO THESE PLANS AND SPECIFICATIONS SHALL REMAIN WITH THE ENGINEER WITHOUT PREJUDICE, AND VISUAL OR MEASUREMENT SHALL BE ACCEPTANCE OF THESE RESTRICTIONS.

COPYRIGHT  
 CTL | THOMPSON STRUCTURAL ENGINEERS, LLC. ALL RIGHTS RESERVED.  
 PLAN NOT VALID WITHOUT ORIGINAL MET STAMP.

DESIGNER	HMP/MWK
DATE	6/22/06
SCALE	AS SHOWN
NO.	S7
REV.	S8

**CLIENT:**  
 SIGNATURE STONE  
 211 W. 30TH STREET  
 GREELEY, CO 80631  
 GREG MILLER  
 970-351-0270

<b>SIGNATURE STONE SPLIT RAIL FENCE</b>	
NO.	DATE



**CTL | THOMPSON**  
 STRUCTURAL ENGINEERS  
 FORMERLY SECURE FOUNDATIONS, LLC  
 CTL | THOMPSON STRUCTURAL ENGINEERS FT COLLINS, LLC P: 970-206-9455  
 351 Linden Street, Ste 140, Fort Collins, CO 80524 F: 970-206-9441