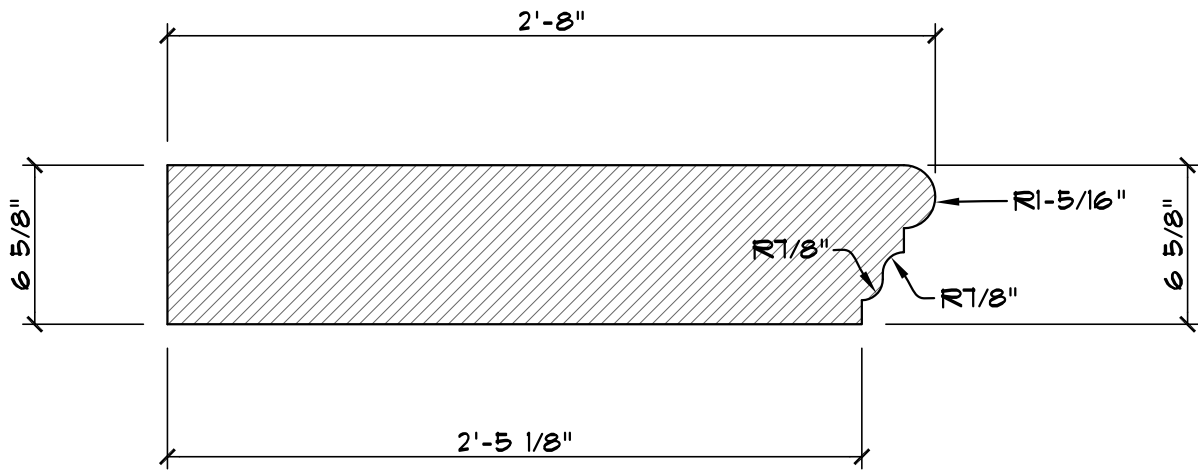


ISO VIEW



SECTION VIEW



"The New Image of Stone"

**Mantle - 6 x 31**

Scale: 1-1/2" = 1'-0"