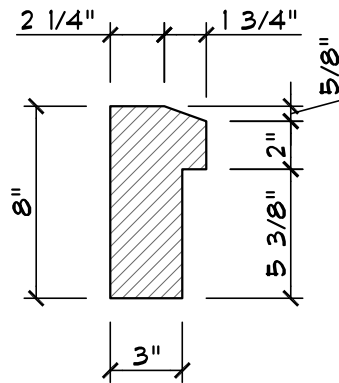


ISO VIEW



SECTION VIEW