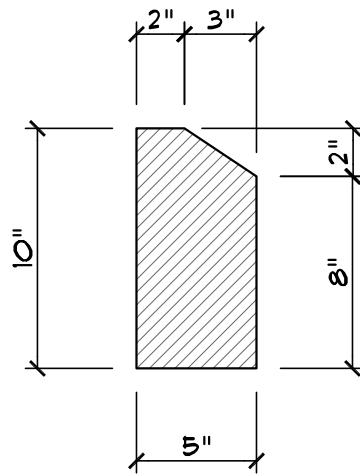


ISO VIEW



SECTION VIEW



"The New Image of Stone"

Base - 5 x 35

Scale: 1-1/2" = 1'-0"